

Ag

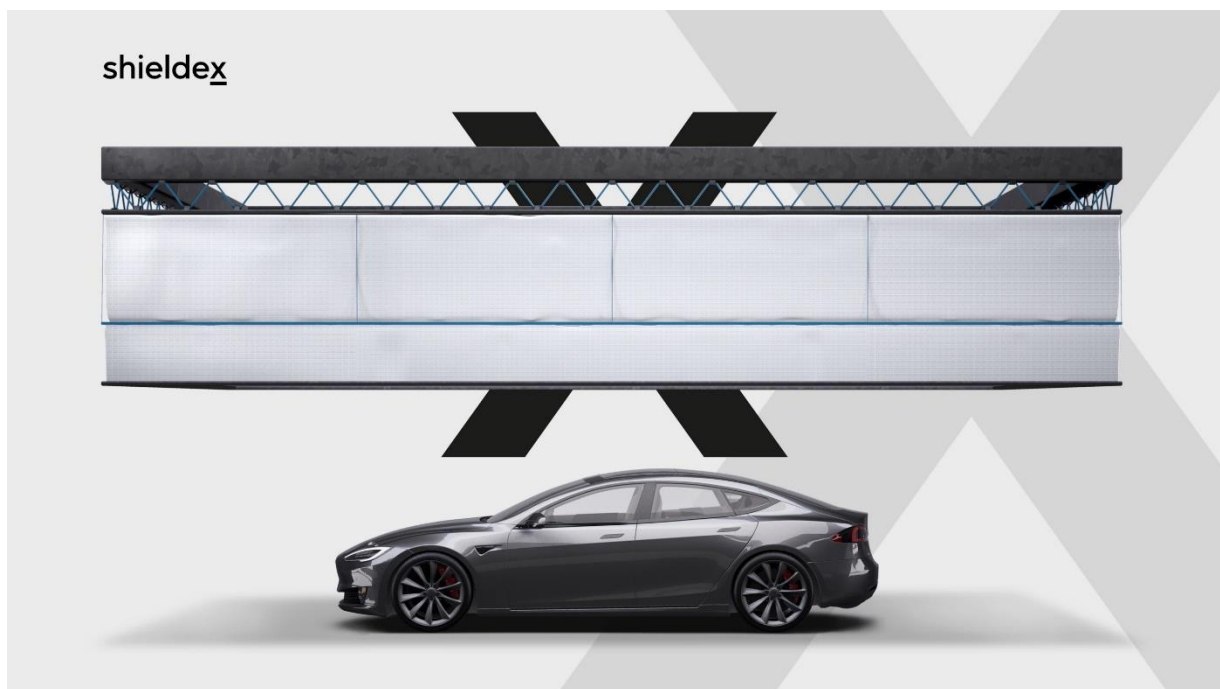
Cu

Ni

Sn

## Shieldex® RF Shielding Enclosures & Table Tops

Standard and tailor-made solutions



Our Shieldex® RF shielding enclosures are the best choice for laboratory testing and measurements. Due to their flexible and light laboratories, our enclosures are portable and can be setup or taken down without any effort in a short time. The size is flexible: Even large-scale projects like the **Mars Rover project** for NASA and for OHB have been realized successfully.

---

## General Information

Testing for **electromagnetic compatibility** can be carried out directly at your location. The expensive and complicated transportation of objects to electromagnetic test labs, usually in external institutions, becomes unnecessary.

**The size** as well as the fabric (e.g. Shieldex® Nora Dell, Zell, Berlin, Pisa) and configuration of the Shieldex® RF enclosure will be designed related to your requirement. Your Shieldex® product can come with required doors, ventilation system, power panels, filter box and many more. The Enclosure is cleanroom compatible to A300 (Class 1000).

---

## Technical Specification

### Versions

RF Shielding Enclosures  
Table Tops

### Description of material

Ag/Cu/Ni/Sn plated Nylon fabrics  
Double or triple layer  
Special characteristic: black, non-oxidizing outer wall

### Size

Standard and custom-made sizes available

### Shielding effectiveness

Average up to 95 dB from 30 MHz - 18 GHz  
All Shieldex® fabrics used were measured in accordance with IEEE 299/2006

### Temperature range

-30 °C to 90 °C

### Additional options

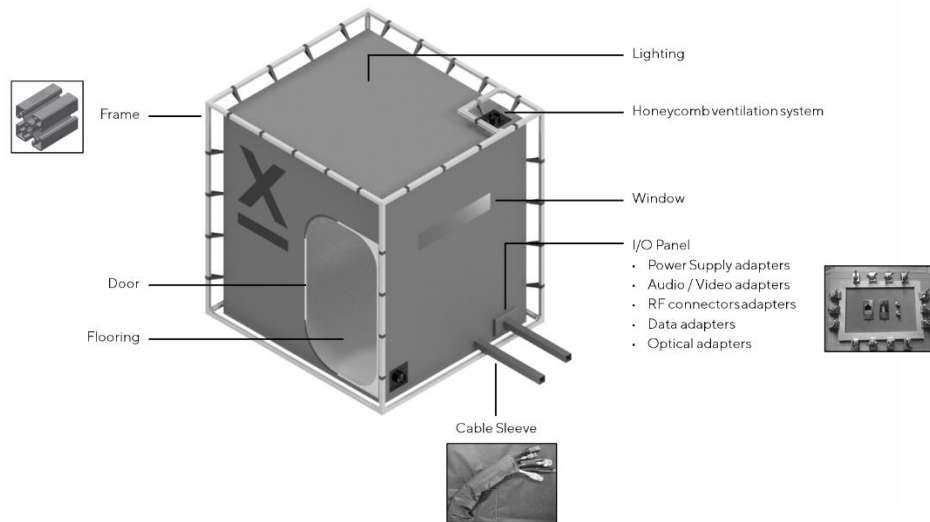
Clean Room compatible to A300 (Class 1000)

---

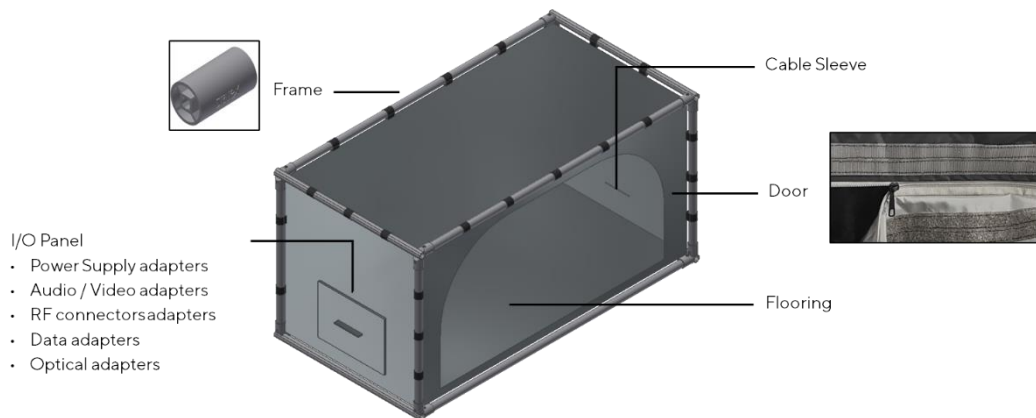
## Applications

- High sensitive electronic devices
- Computer and Cell Phone Forensics
- Testing cars, satellites, computers, and control systems  
Used by major companies in the aerospace, automotive industries and military field

## Enclosure Configuration



## Table Top Configuration



---

**Advantages**

- Warranty
- Made in Germany
- Cost effective
- Portable and space saving
- Flexible and light laboratories
- Hand- and custom- made
- In-house studio

---

**Services (optional)**

- Installation service (setup & dismantling)
  - Retrofit service
  - Repair service
  - Rental service
- 

## Did we spark your interest ?

More information can be found on our detailed data sheets.  
Please do not hesitate to contact us at any time.